

# MAXIMUS MPX RANGE, BRACKETS



## MPXWBA

### WALL MOUNT BRACKET

Made of AISI 316L electropolished stainless steel

Load rating: 40kg (88lb)

Length: 400mm (15.7in)

Can be coupled with modular components (MPXCW, MPXCOL).



MPXWBA

## MPXCOL

### POLE MOUNT ADAPTOR

Made of AISI 316L electropolished stainless steel

For pole diameters: from 110mm (4.3in) up to 150mm (5.9in)

Load rating: 50kg (110lb)

Dimensions: 198x182mm (7.8x7.2in)



MPXCOL

## MPXCW

### CORNER MOUNT ADAPTOR

Made of AISI 316L electropolished stainless steel

Load rating: 50kg (110lb)

Dimensions: 335x186mm (13.2x7.3in)

Suitable for: MPXWBA, MHXWBS



MPXCW

## MPXWBTA

### PARAPET OR CEILING MOUNTING BRACKET

Made of AISI 316L electropolished stainless steel

Load rating: 40kg (88lb)

Dimensions: Ø 238mm (9.4in)



MPXWBTA

## MBXMP

### PLATE FOR ASSEMBLY OF THE MAXIMUS MBX WITH MPXCOL POLE ADAPTOR OR WITH MPXCW CORNER ADAPTOR

In stainless steel

Dimensions: 220x240x10mm (8.7x9.4x0.4in)



MBXMP

## TECHNICAL DATA

### MPXWBA

#### MECHANICAL

Made of AISI 316L electropolished stainless steel

Load rating: 40kg (88lb)

Length: 400mm (15.7in)

Can be coupled with modular components: MPXCW, MPXCOL

Unit weight: 5.4kg (11.9lb)

#### PART NUMBER

MPXWBA AISI 316L stainless steel wall bracket

#### PACKAGE

Model Number	Weight	Dimensions (WxHxL)	Master carton
MPXWBA	6.1kg (13.5lb)	43.5x42x20cm (17x16.5x8in)	4

### MPXCOL

#### MECHANICAL

Suitable for MHXWBS

Suitable for MPXWBA

Made of AISI 316L electropolished stainless steel

For pole diameters: 110-150mm (4.3-5.9in)

Load rating: 50kg (110lb)

Unit weight: 4.5kg (9.9lb)

#### PART NUMBER

MPXCOL AISI 316L stainless steel pole adaptor module

#### PACKAGE

Model Number	Weight	Dimensions (WxHxL)	Master carton
MPXCOL	4.9kg (10.8lb)	24x15x21.5cm (9.4x6x8.5in)	6

### MPXCW

#### MECHANICAL

Suitable for MPXWBA

Suitable for MHXWBS

Made of AISI 316L electropolished stainless steel

Load rating: 50kg (110lb)

Dimensions: 335x186mm (13.2x7.3in)

Unit weight: 3.6kg (7.9lb)

#### PART NUMBER

MPXCW AISI 316L stainless steel corner adaptor module

#### PACKAGE

Model Number	Weight	Dimensions (WxHxL)	Master carton
MPXCW	4.8kg (10.6lb)	36.5x25.5x26cm (14.4x10x10.2in)	5

### MPXWBT

#### MECHANICAL

Made of AISI 316L electropolished stainless steel

Load rating: 40kg (88lb)

Dimensions: Ø 238mm (9.4in)

Unit weight: 2.8kg (6.2lb)

#### PART NUMBER

MPXWBT AISI 316L stainless steel parapet or ceiling mounting bracket

#### PACKAGE

Model Number	Weight	Dimensions (WxHxL)	Master carton
MPXWBT	3.2kg (7.1lb)	33x27x6.5cm (13x11x2.4in)	-

### MBXMP

#### MECHANICAL

In stainless steel

Suitable for MPXCW, MPXCOL

Dimensions: 220x240x10mm (8.7x9.4x0.4in)

Unit weight: 3.7kg (8lb)

#### PART NUMBER

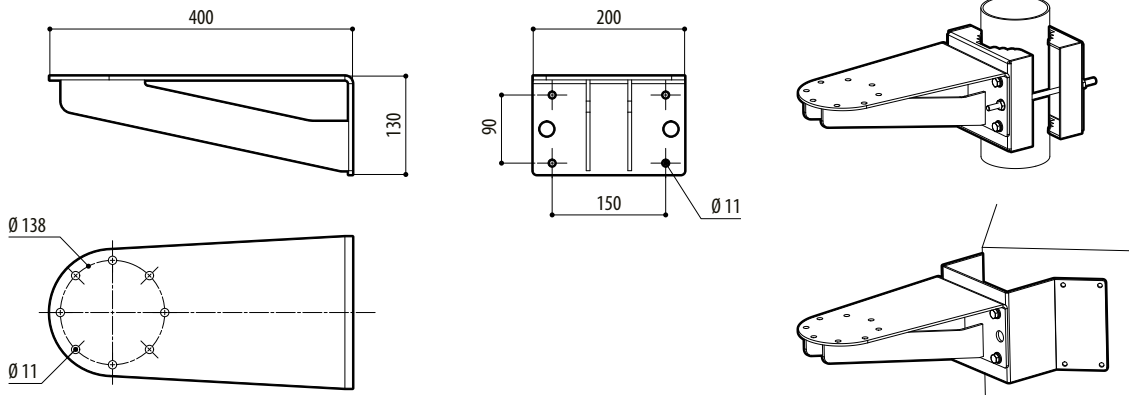
MBXMP Plate for assembly of the MAXIMUS MBX with MPXCOL pole adaptor or with MPXCW corner adaptor

#### PACKAGE

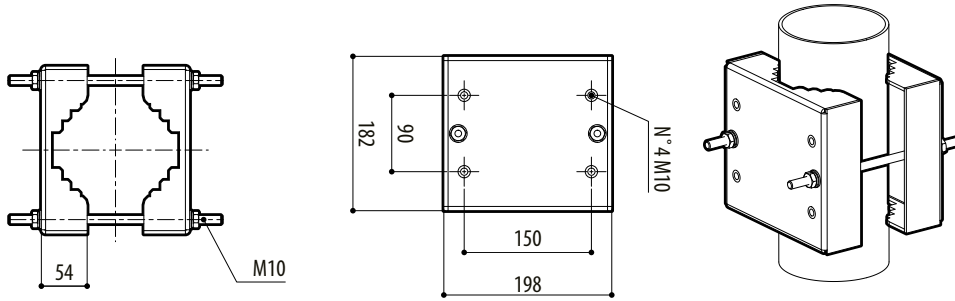
Model Number	Weight	Dimensions (WxHxL)	Master carton
MBXMP	4kg (8.8lb)	33x27x7.5cm (13x10.6x3in)	-

## TECHNICAL DRAWINGS

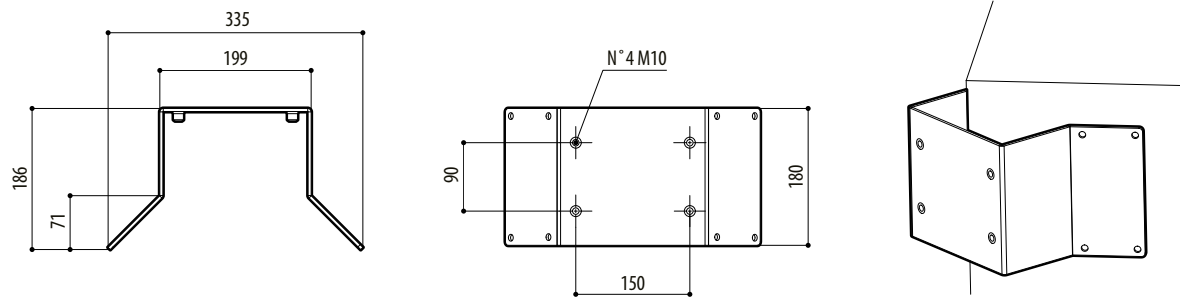
The indicated measurements are expressed in millimetres.



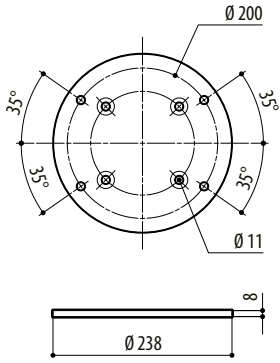
MPXWBA



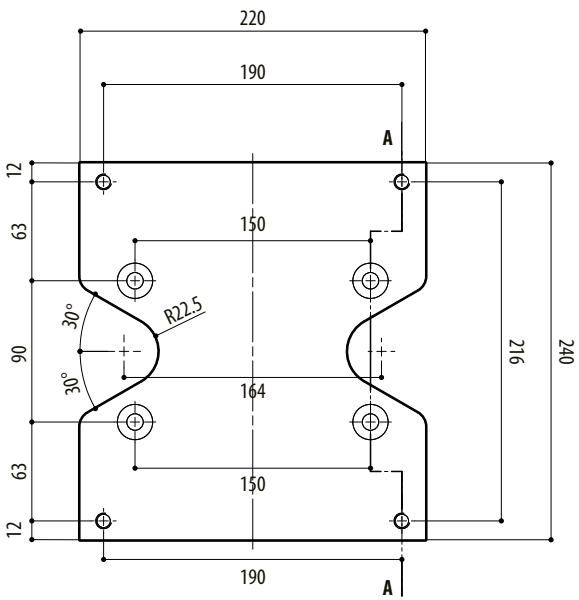
MPXCOL



MPXCW



MPXWBTA



SECTION A-A

MBXMP