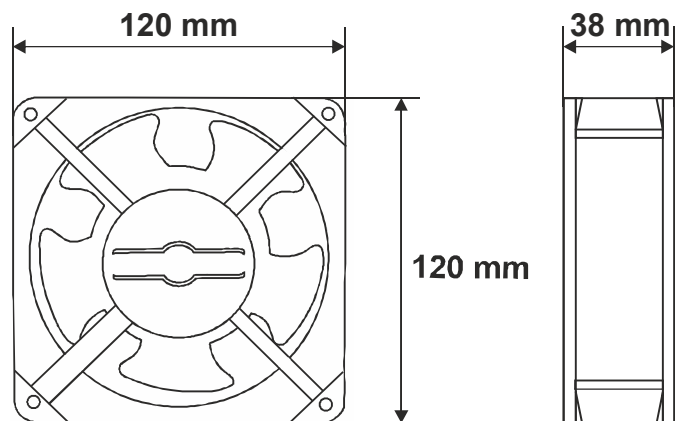


CODE: **RAW1** v1.0/V

EN

NAME: **Fan 1/230 for wall mounted cabinets type: RWA, RW, RWD****INTENDED USE**

The fan is intended for mounting inside the top panel of a suspended RACK cabinet. It induces airflow inside the cabinet.

**SPECIFICATIONS**

<b>Mounting dimensions:</b>	W=105, H=105
<b>External dimensions:</b>	W=120, H=120, D=38 [mm, +/-2], L <sub>z</sub> =2m
<b>Rated voltage:</b>	220÷240V AC / 50/60Hz
<b>Rated current:</b>	0,05+0,06A
<b>Net/gross weight:</b>	0,7 / 0/8 [kg]
<b>Materials:</b>	- aluminium alloy, RAL 9004 - 1 fan 230VAC, air flowing 50÷110CBM/H (1850 rev/min, 37dB)
<b>Use:</b>	inside
<b>Notes:</b>	- mounted from the inside, to the top panel of the RACK cabinet - 4 screws included - fixed network cable 230VAC, L <sub>z</sub> =2m